



H3FD 500A-1600A

Class of operation: aR

保护特性: aR



Standard/ 标准: IEC 60269-4, GB/T 13539.4, UL 248-13

INTERRUPTING CAPACITY/ 分断能力:

200,000 amperes at 690V AC

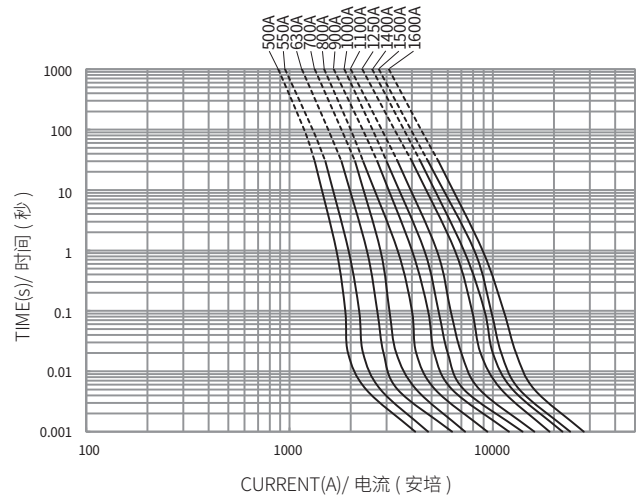
H3FD 平均 I-T 曲线图 (仅供参考)
AVERAGE I-T CHARACTERISTICS CURVE
(FOR REFERENCE ONLY)

TECHNICAL PARAMETERS/ 技术参数:

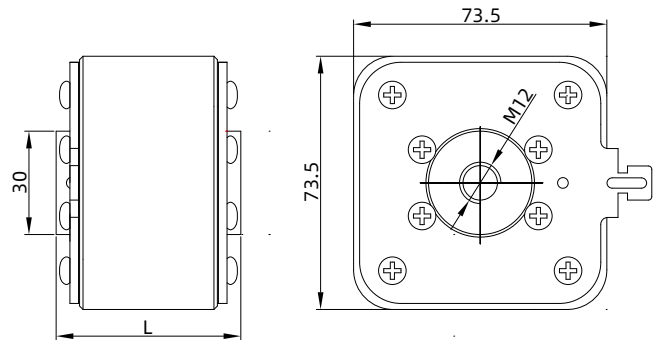
| PART NO. 目录编号 | | | 额定电流 Rated Current | 额定电压 Rated Voltage | SAFETY APPROVALS 安全认证 |
|---|--|-------------------------------|--------------------------|--------------------------|-----------------------------|
| Type-A Type center Indicator for micro | Type-B Type top Indicator for micro | Type-C Visual Indicator | | | CCC |
| H3FD500 | H3FD500B | H3FD500C | 500A | 690V AC | ● |
| H3FD550 | H3FD550B | H3FD550C | 550A | | ● |
| H3FD630 | H3FD630B | H3FD630C | 630A | | ● |
| H3FD700 | H3FD700B | H3FD700C | 700A | | ● |
| H3FD800 | H3FD800B | H3FD800C | 800A | | ● |
| H3FD900 | H3FD900B | H3FD900C | 900A | | ● |
| H3FD1000 | H3FD1000B | H3FD1000C | 1000A | | ● |
| H3FD1100 | H3FD1100B | H3FD1100C | 1100A | | ● |
| H3FD1250 | H3FD1250B | H3FD1250C | 1250A | | ● |
| H3FD1400 | H3FD1400B | H3FD1400C | 1400A | | ● |
| H3FD1500 | H3FD1500B | H3FD1500C | 1500A | | ● |
| H3FD1600 | H3FD1600B | H3FD1600C | 1600A | | ● |

● DENOTES FOR APPROVAL
○ DENOTES FOR PENDING

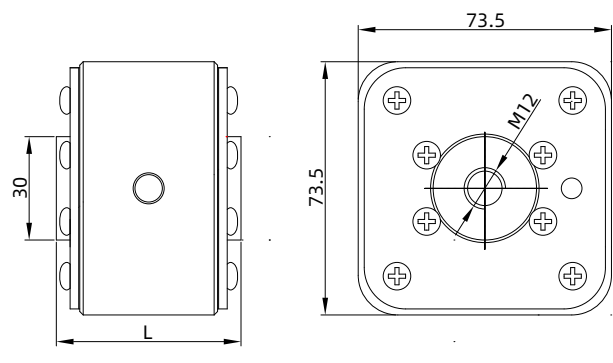
● 表示已取得安全认证
○ 表示正在申请安全认证



Type:H3FD Part No.:H3FD(amp rating)B



Type:H3FD Part No.:H3FD(amp rating)C



| 目录编号 PART NO. | 可选配件 Optional Accessory |
|-------------------|-------------------------|
| | 微动开关 Microswitches |
| H3FD(amp rating) | HMC-01 |
| H3FD(amp rating)B | HMT-01 |

| 目录编号 PART NO. | 额定电流 Rated Current (A) | L (mm) |
|---------------|---------------------------|--------|
| H3FDXXX | 500-1500 | 53 |
| H3FDXXXB | | |
| H3FDXXXC | 1600 | 65 |

Dimensions/ 尺寸:

Unit 单位: mm

Type:H3FD Part No.:H3FD(amp rating)

